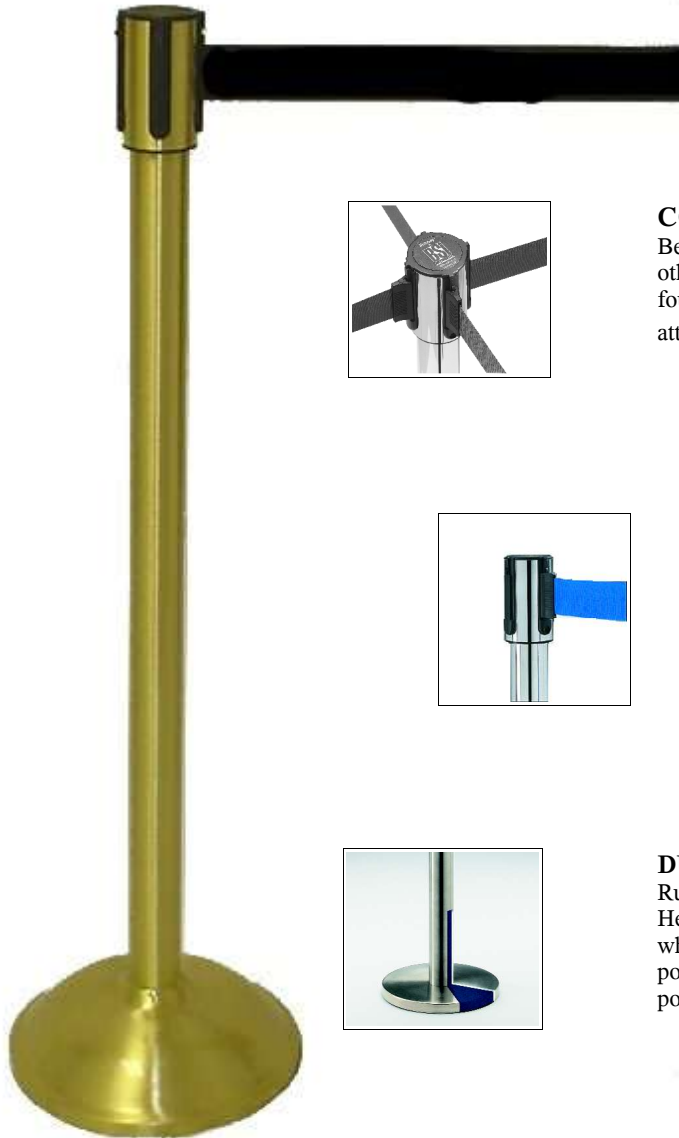


# Beltway™ by BSI Crowd Control

## Guidance Control Barrier



### CONVENIENT

Beltway is designed to connect to and upgrade other systems. You can connect to the post from four directions. We also provide signs that easily attach to the top of the post.



### SAFE

Beltlock™ helps prevent accidents. It automatically locks the belt to the post preventing accidental disconnection, yet it releases with one hand in compliance with fire codes. Safebelt™ is engineered to fall to the floor and then slowly retract when released.



### DURABLE

Rubber trimmed base protects the floor. Heavy base and small footprint provide stability while reducing wear and tear on both the post and the public. 18" steel line connects the post to the base to prevent loosening and tilting.

930DM/11/11-96  
Beltway with Dome Base  
Satin BrassMaster w/ Black Belt

## Specifications

- 4 way connection
- Automatic Beltlock
- 7'6" replaceable belt cassette
- Rubberized, non-marking base
- Nylon grommet to protect belt from fraying
- Small footprint with 12" Dome base
- 18" steel liner prevents loosening and tilting
- Sturdiest post on the market at 32 pounds

